

AutoCAD & AutoCAD Architecture 2008

Installing the RPC Plug-in

Start by running the RPC Plug-in installer. Be sure to select the desired version of Autodesk AutoCAD or AutoCAD Architecture. It is recommended that you use the latest version of the RPC Plug-in available for AutoCAD or AutoCAD Architecture for optimum performance. The latest version of the RPC Plug-in can be downloaded from www.archvision.com.

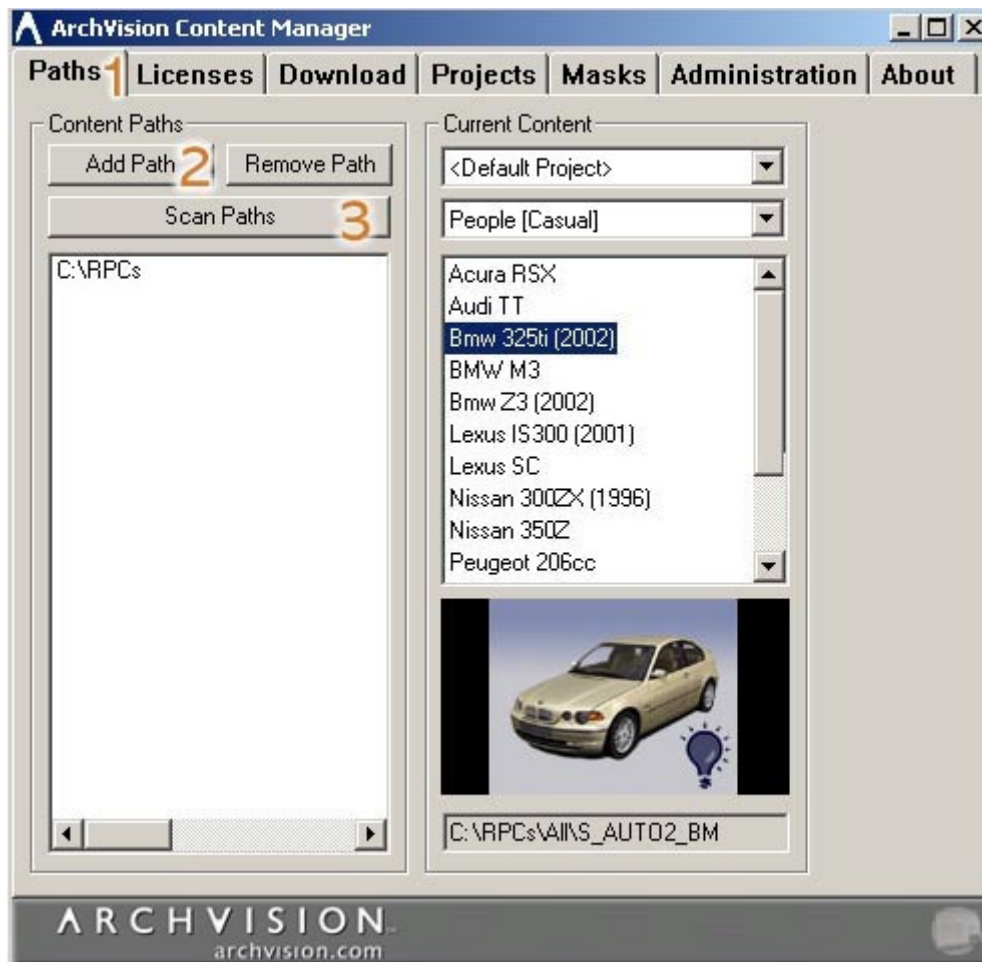
Configuring Content Paths

The ArchVision Content Manager (ACM) manages all of your content paths. It is necessary to configure content paths in the ACM to access your RPC Objects. You can access the ACM by double clicking on the icon in the system tray or selecting Start->Programs->ArchVision->ArchVision Content Manager->ArchVision Content Manager.

Step 1: Select the **Paths** tab.

Step 2: Select **Add a Path** and then browse for the location of the RPC Objects.

Step 3: Choose **Scan Paths**. All RPC Objects detected will appear under the current content dialog.



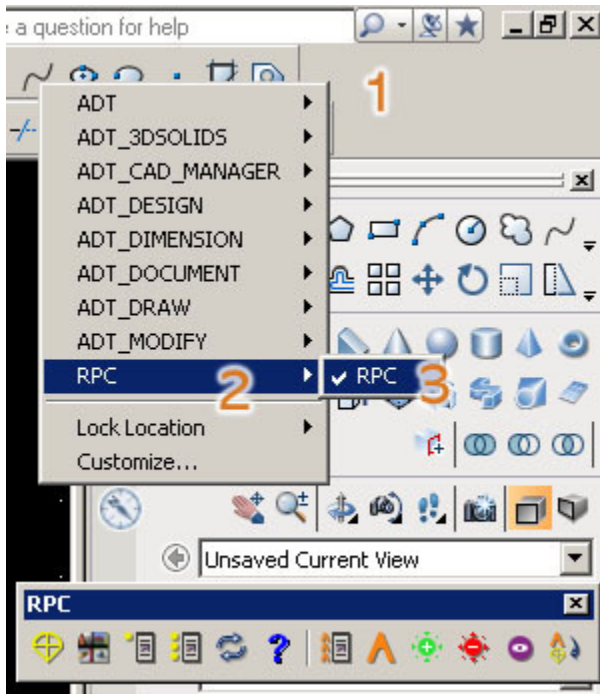
Accessing the RPC Plug-in

Step 1: Right click on the Main Menu.

Step 2: Select RPC.

Step 3: Click on RPC again.

The floating RPC Dialog will then appear.



The RPC Plug-in can also be accessed from the dashboard by right clicking on the dashboard and selecting Control Panels->RPC.

Click on the RPC Place button to access the RPC Selection dialog.



Configuring the RPC Plug-in

Once the installer is finished, you will need to configure a path to the ArchVision Content Manager (ACM). You can access the Configure Content button by clicking on RPC Place. The Configure Content button is located at the bottom of the RPC Selection dialog.

Step 1: Select **Configure Content**.

Step 2: Click on the **Update** tab.

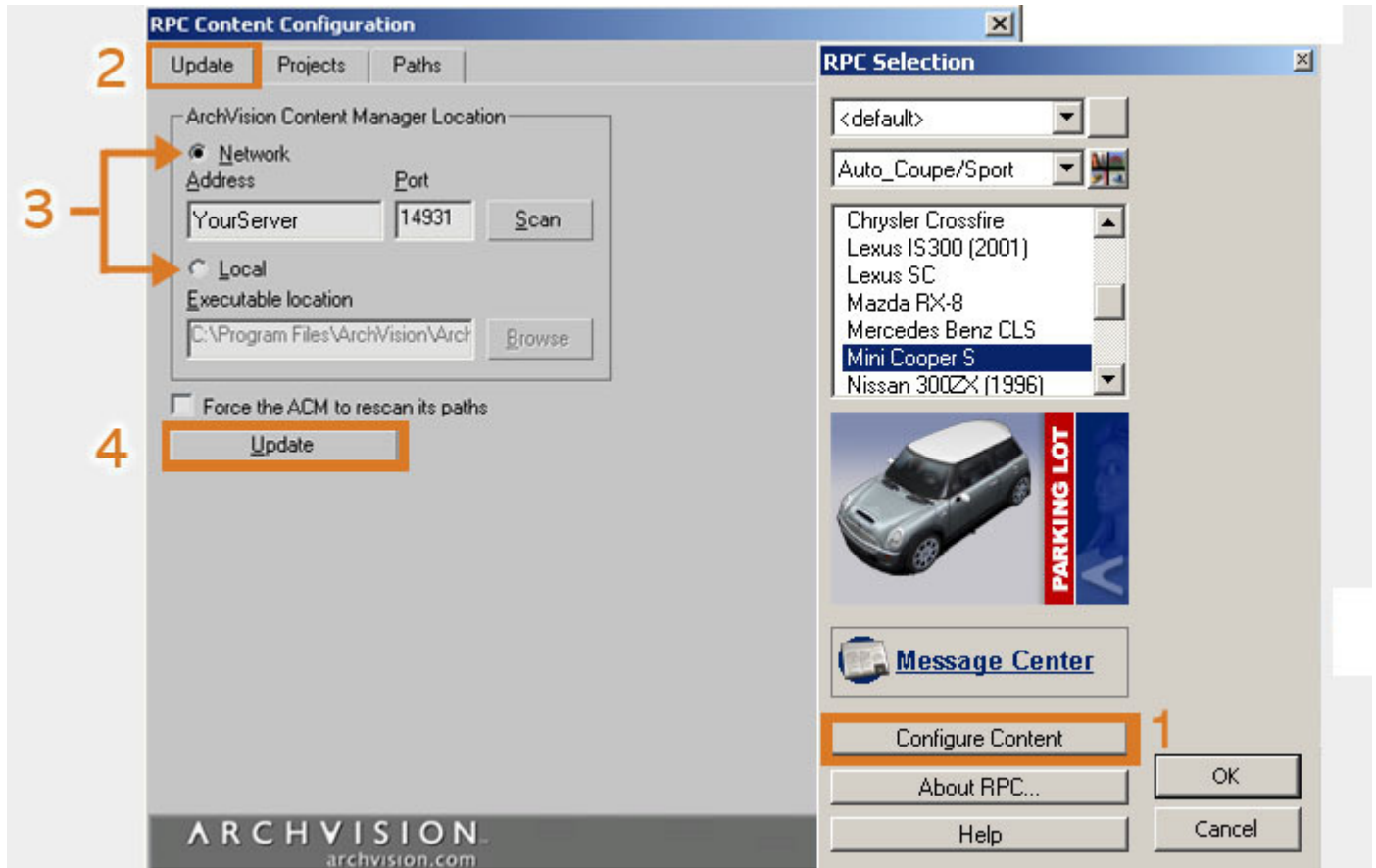
Step 3: Specify a path to the ACM.

Note: If the ACM is located on your network, select **Network** and then type in the machine name, IP address or select Scan to choose it from a list of available ACMs.

If the ACM is installed locally, select Local and browse to C:\Program Files\ArchVision\ArchVision Content Manager, for a file named rpcacmapp.exe.

Step 4: Select Update Content and the RPC Content in the path of the ACM will now be available.

At this point, the RPC Plug-in has been successfully installed and configured and is ready to use.



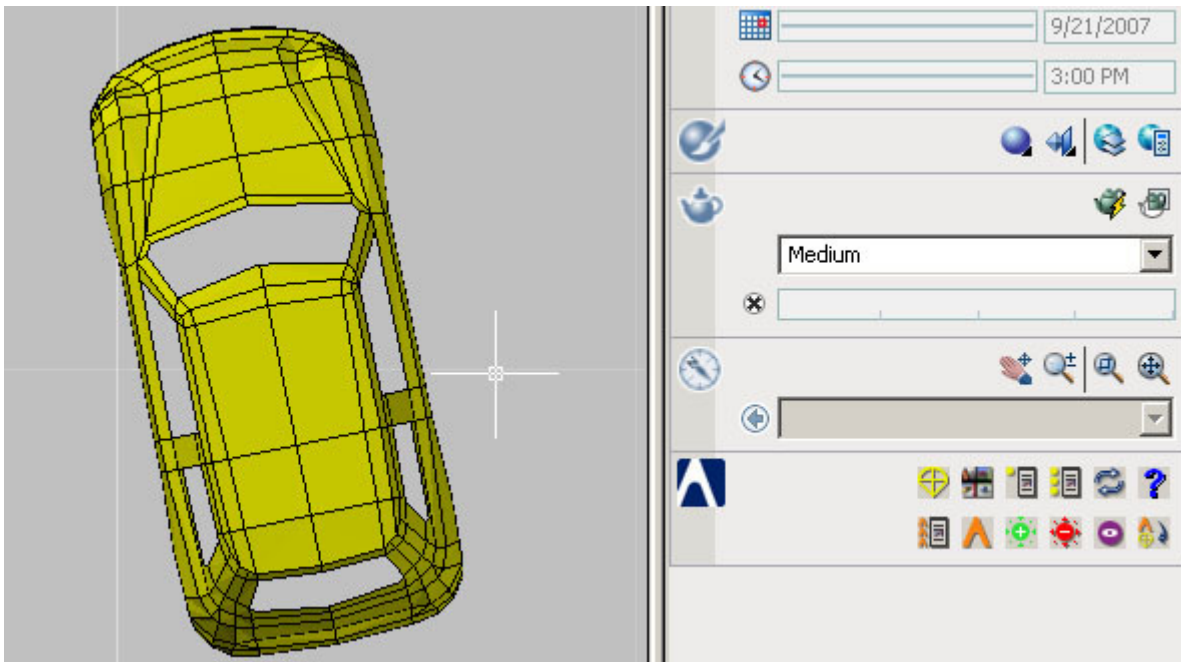
Placing RPC Content

To place an RPC object into AutoCAD or AutoCAD Architecture:

Step 1: Click on the RPC Place button or type the command **rpcPlace**.

Step 2: Select the desired RPC Library from the drop-down menu and then click on the name of the RPC that you would like to place in your scene then click on **ok**.

Step 3: Place the cursor in the scene where the RPC is to appear and hold down the left button of the mouse down. Moving the mouse while the left button is depressed will allow you to rotate the direction that the RPC is facing. Release the button when the RPC is position desired.



Commands for AutoCAD and AutoCAD Architecture

-  Placement Command = **rpcPlace**
-  RPC Thumbs Command = **rpcThumbs**
-  Editing Command = **rpcEdit**
-  Mass Edit Command = **rpcMassEdit**
-  RPC Substitution Command = **rpcSub**
-  Edit Ruleset Command = **rpcMassPop**
-  Proxy Placement Command = **rpcProxy**
-  Attractor Placement Command = **rpcAttractor**
-  Repulsor Placement Command = **rpcRepulsor**
-  Focus Placement Command = **rpcFocus**
-  Detatch Proxy Command = **rpcDetatch**

For additional assistance using RPC Technology, please visit www.archvision.com or contact our live Support Team Monday-Friday 9am-5pm (EST)

Copyright 2007 ArchVision, Inc